

BHA 33863

**Building Resilience In Communities Affected by Conflict And Crisis
(BRIDGE) Program Gadaref**

Upgrade hand pumps into Mini Water Yards

Content

- 1- Site plan**
- 2- Structure**
- 3- Solar system**
- 4- Water point**
- 5- Fence & Gate**

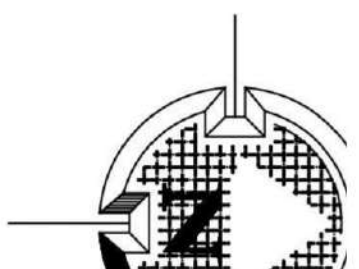
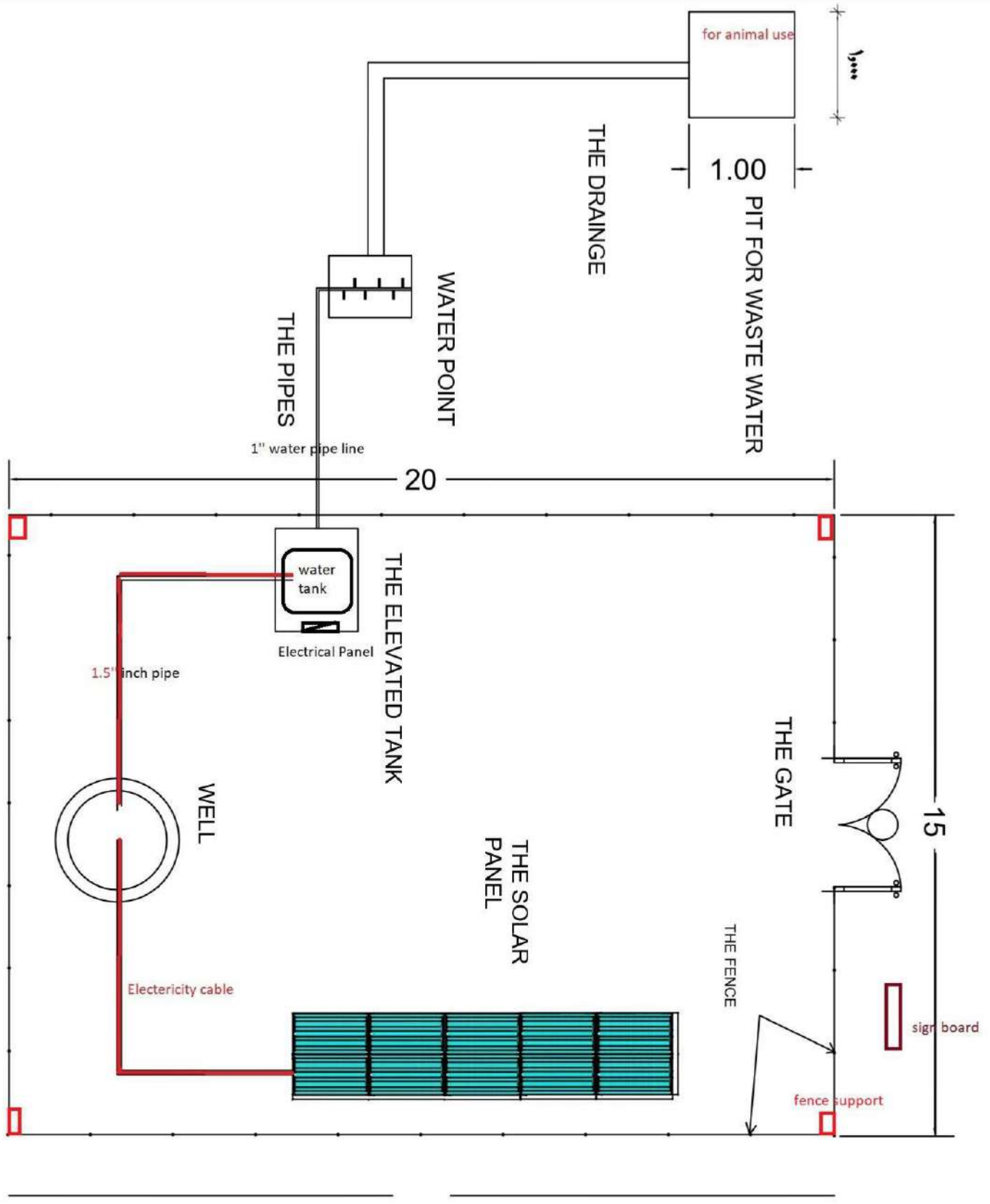
BHA

**Building Resilience In Communities Affected by Conflict And Crisis
(BRIDGE) Program Gadaref**

Upgrade hand pump into Mini Water yard

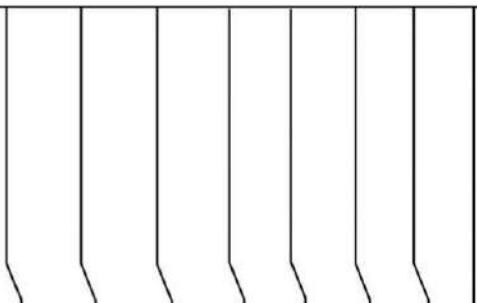
Site plan & elevation content:

- **Site plan**
- **East Elevation**
- **North Elevation**



MINI WATER

GENERAL VII

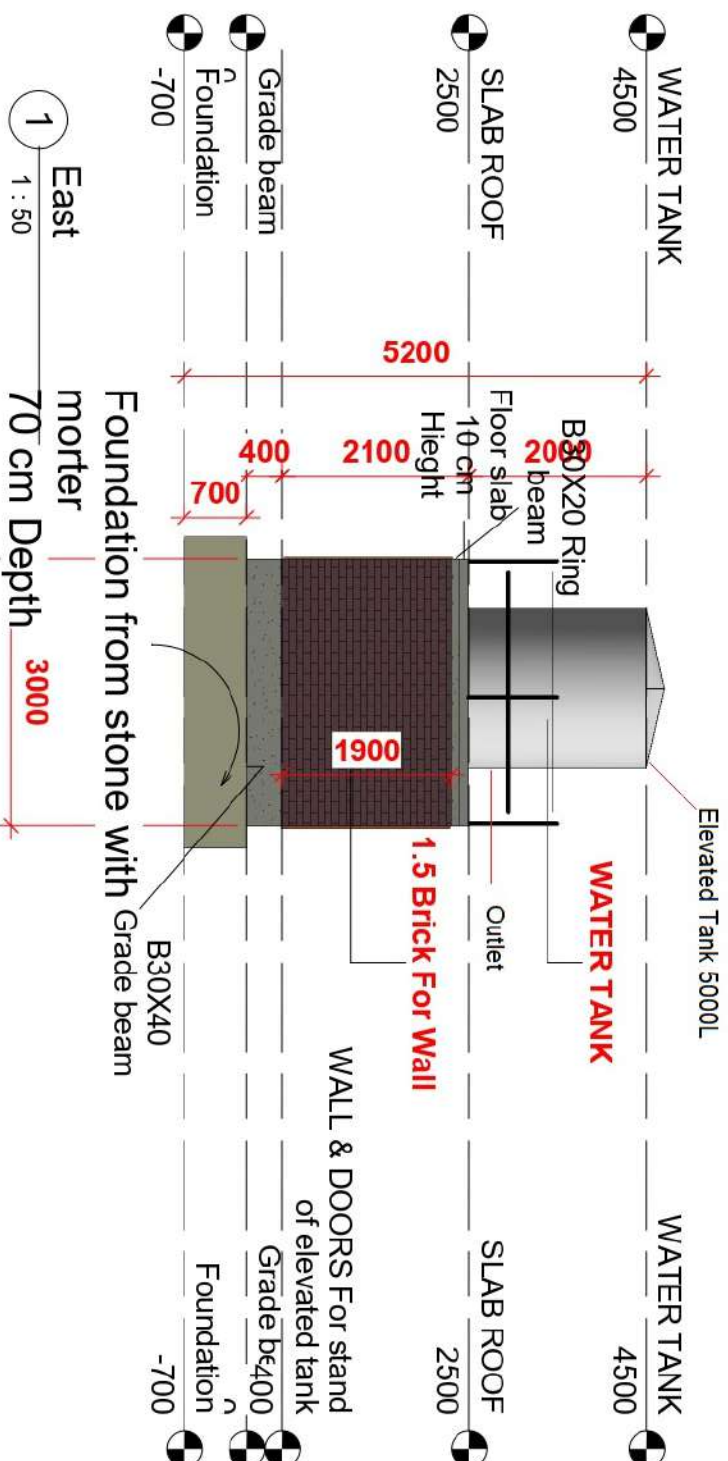


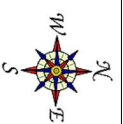


PROJECT :
MINI
WATER
YARD

NAMES :

EAST
DIRECTION





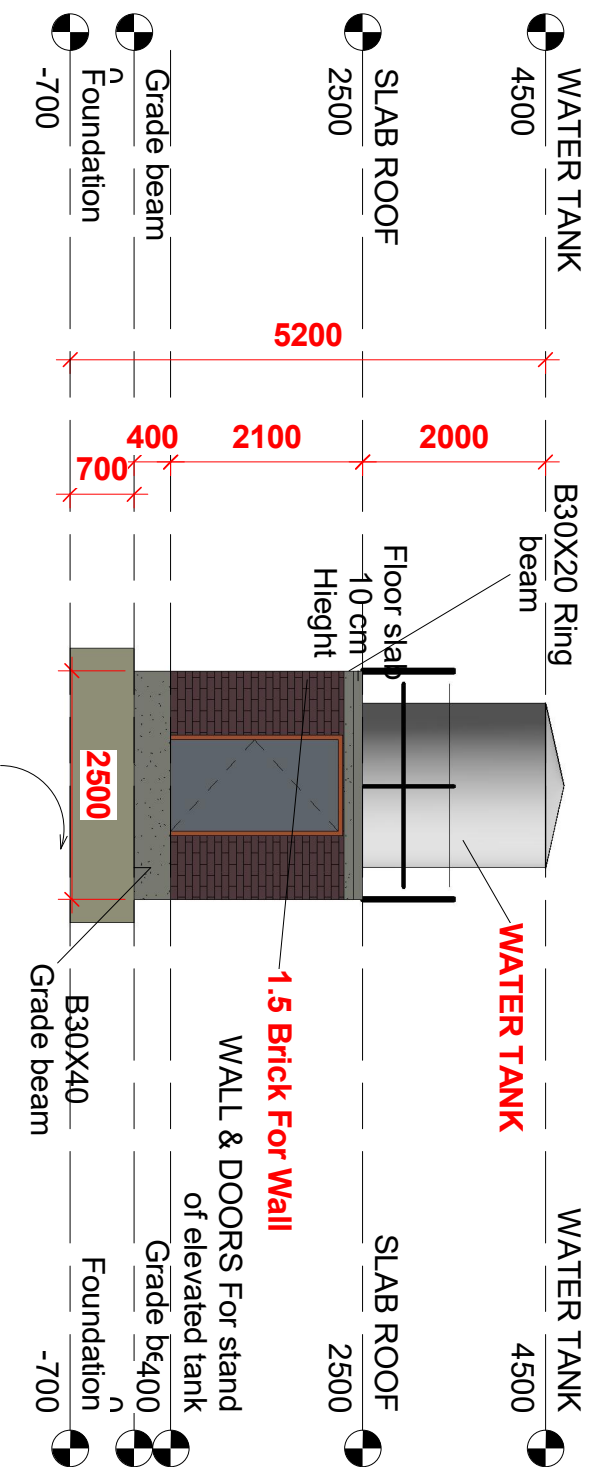
PROJECT :
MINI
WATER
YARD

NAMES :

NORTH
DIRECTION

1 North
1 : 50

Foundation from stonew
with mortar
70 cm Depth



BHA

**Building Resilience In Communities Affected by Conflict And Crisis
(BRIDGE) Program Gadaref**

Upgrade hand pump into Mini Water yard

Structure content:

- **foundation**
- **Grid Beam**
- **Wall & Massonary**
- **Slab & Ring Beam**



PROJECT :
MINI
WATER
YARD

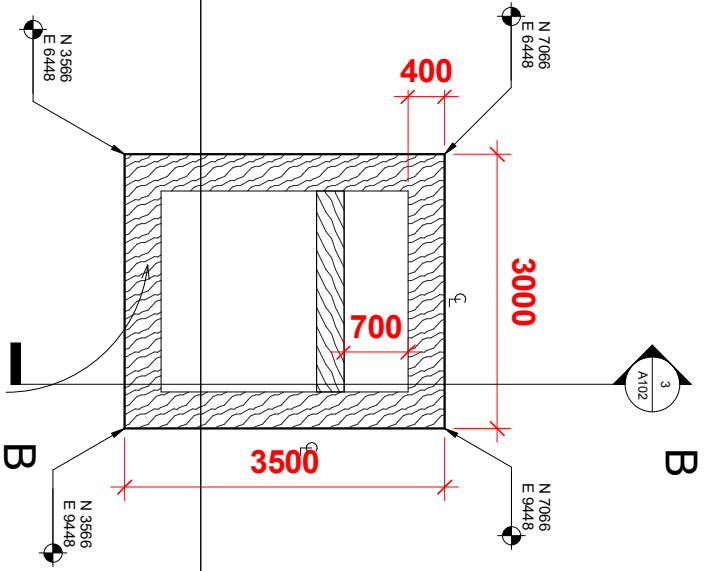
NAMES :

FOUNDATIONS

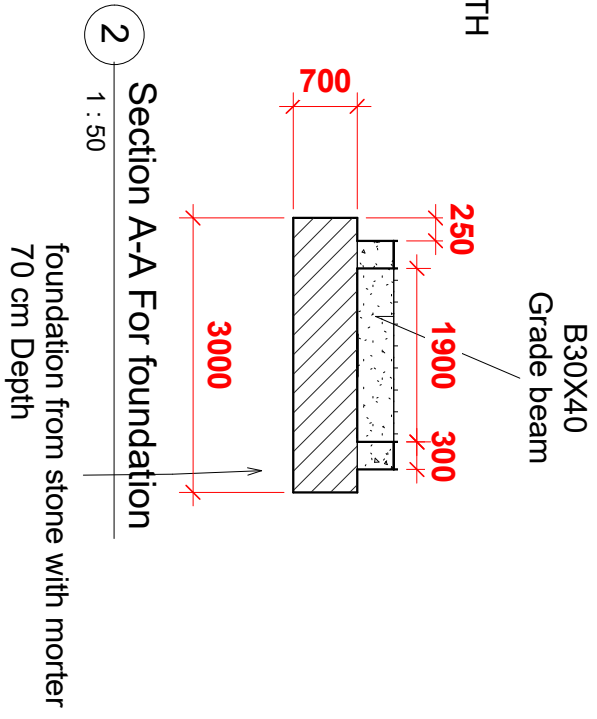
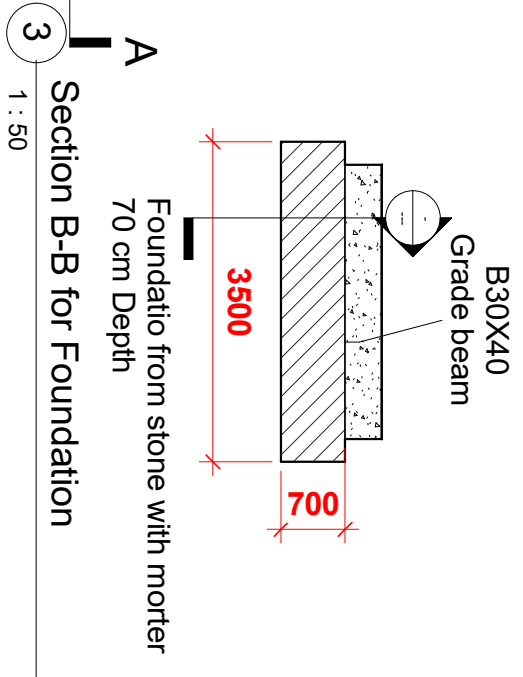
:

Empty rectangular box for drawing or notes.

Empty rectangular box for drawing or notes.



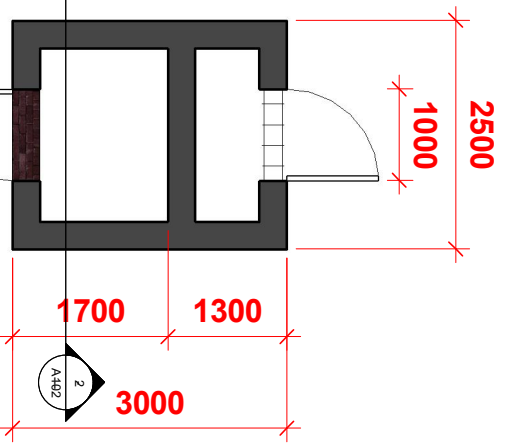
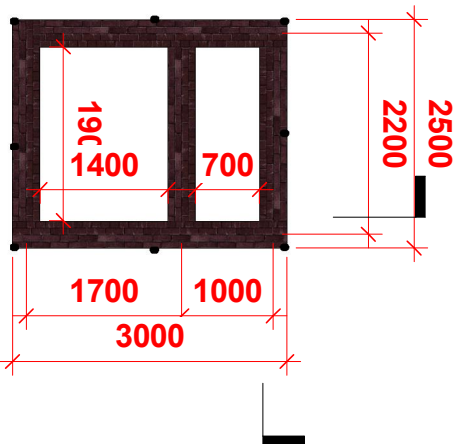
Foundation plan for elevated Tank





PROJECT :
MINI
WATER
YARD

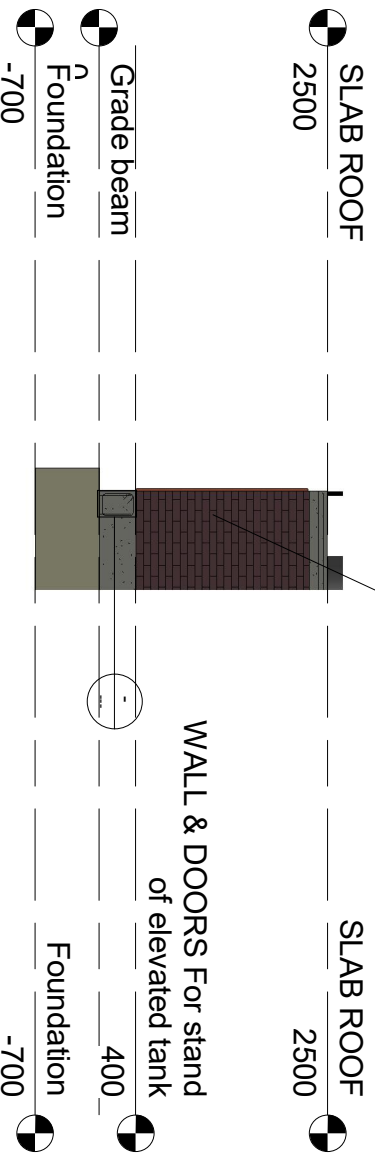
NAMES :
WALLS



1 WALL & DOORS For stand
of elevated tank
1 : 50

2 WALL
1 : 50

1.5 Brick For Wall



3 BEAM AND WALL SECTION
1 : 50

SLAB ROOF
2500

Grade beam
Foundation
-700

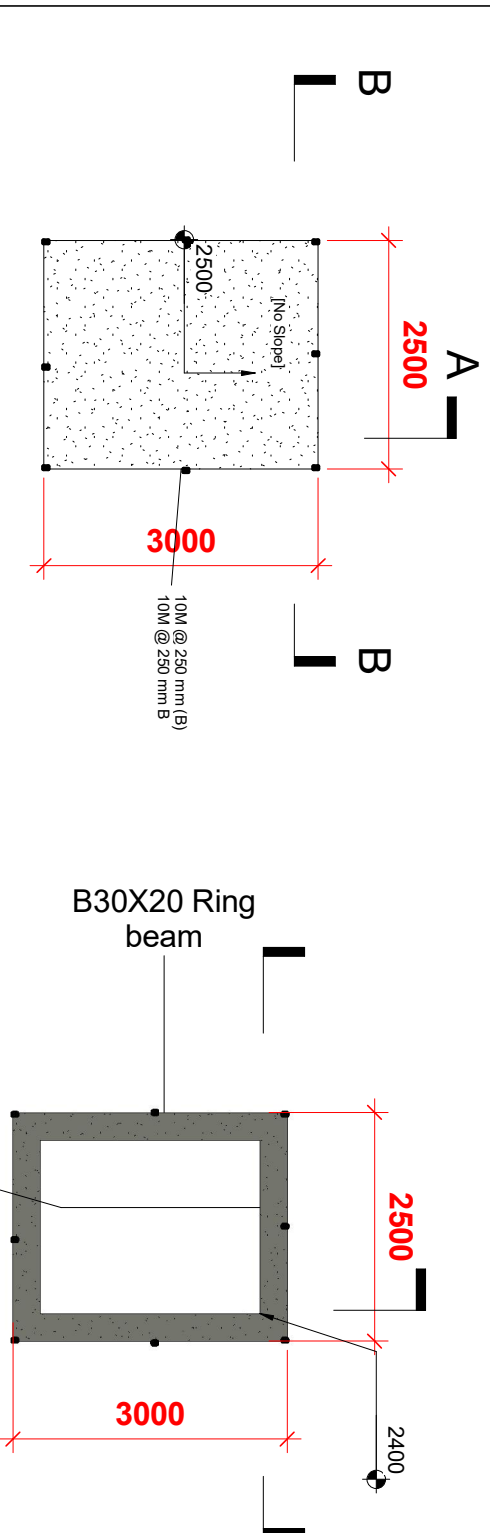
SLAB ROOF
2500

WALL & DOORS For stand
of elevated tank
Foundation
400
-700

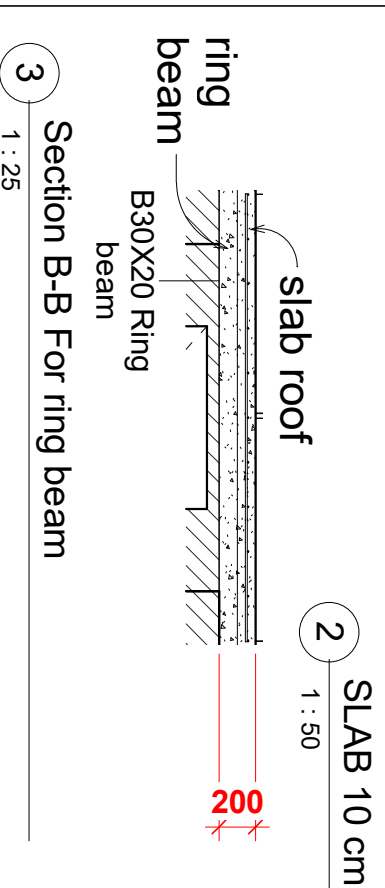


PROJECT :
MINI
WATER
YARD

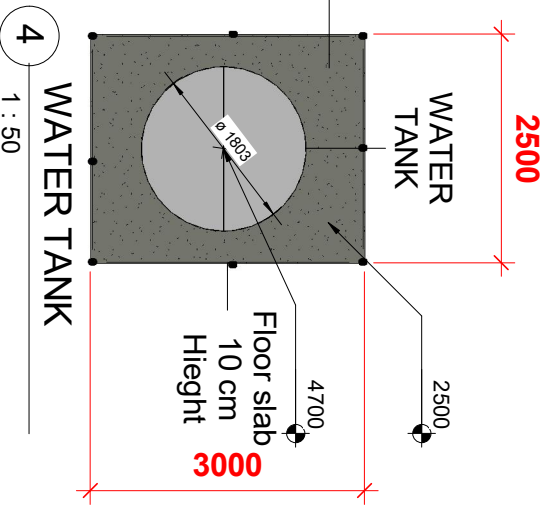
NAMES :
SLABS &
WATER
TANK



1 SLAB ROOF
1 : 50



2 SLAB 10 cm
1 : 50



4 WATER TANK
1 : 50

3 Section B-B For ring beam
1 : 25

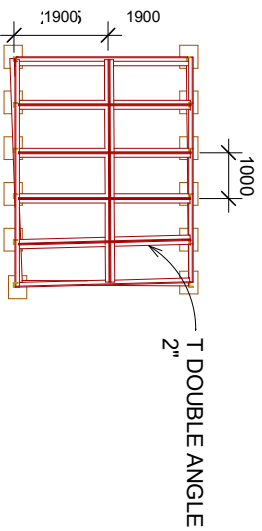
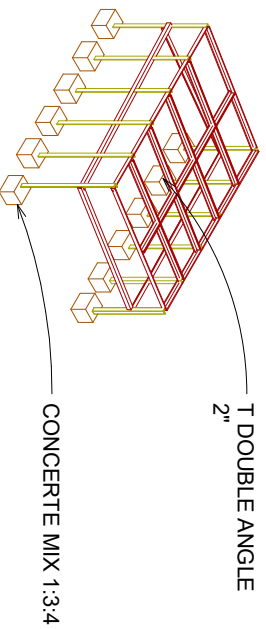
BHA

**Building Resilience In Communities Affected by Conflict And Crisis
(BRIDGE) Program Gadaref**

Upgrade hand pump into Mini Water yard

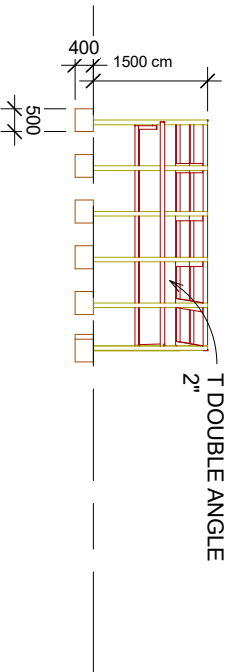
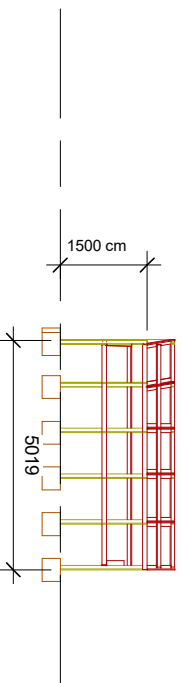
Solar System content:

- **Solar System Steel Stand**
- **Solar System Electrical Panel Distribution**



1 {3D} SOLAR SYSTEM

2 PLAN FOR SOLAR SYSTEM 1:100

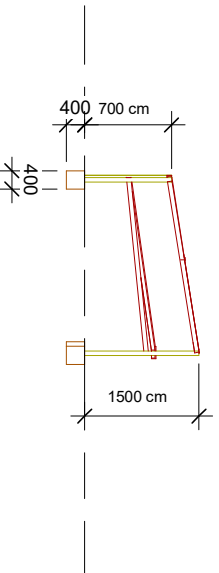
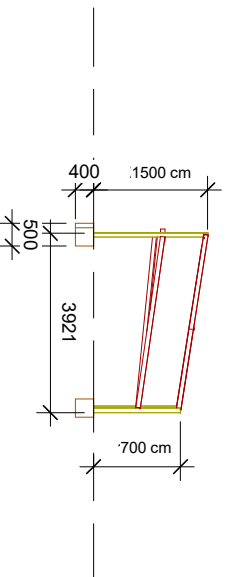


5

North SOLAR SYSTEM 1:100

6

South SOLAR SYSTEM 1:100

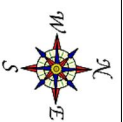


4

East SOLAR SYSTEM 1:100

7

West SOLAR SYSTEM 1:100

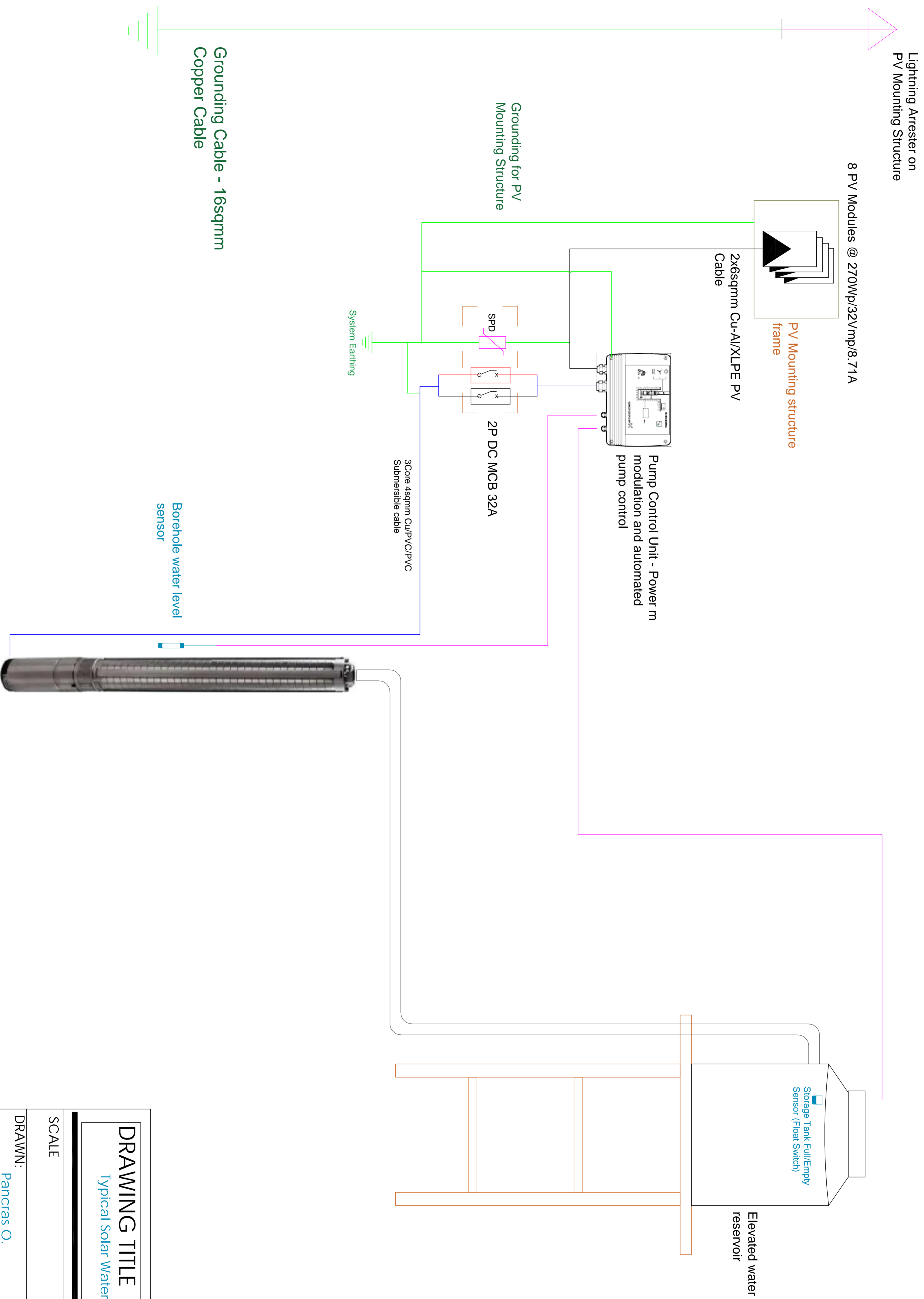


PROJECTM

MINI WATER YARD

NAME

SOLAR SYSTEM



DRAWING TITLE
 Typical Solar Water Pumping System SLD

SCALE _____ DRAWING NO. _____

DRAWN: **Pancras O.**

APPROVED: _____ DATE: **17th Feb. 2023**

BHA

**Building Resilience In Communities Affected by Conflict And Crisis
(BRIDGE) Program Gadaref**

Upgrade hand pump into Mini Water yard

Water Point content:

- **Water Point Design**
- **Water Point Top Plan**



PROJECT :
MINI
WATER
YARD

NAMES :

**PROSPECTIVE
VIEWS**

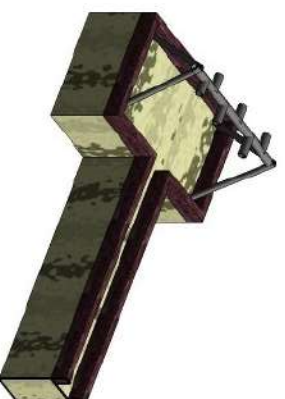
Taps

steel stands

concrete platform

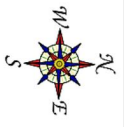
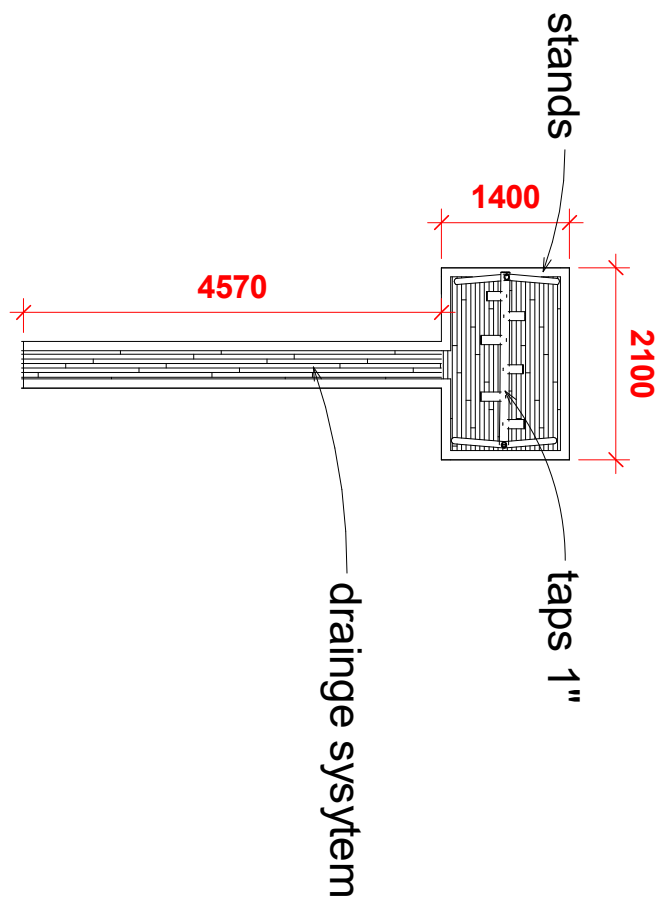
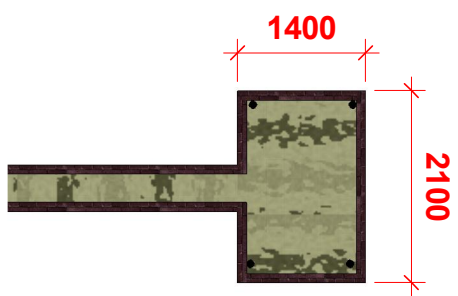
to be drained outside for animal

1 {3D}



2 3D SECTION

1 floor
1 : 50



PROJECT :
MINI
WATER
YARD

NAMES :
water points

--

BHA

**Building Resilience In Communities Affected by Conflict And Crisis
(BRIDGE) Program Gadaref**

Upgrade hand pump into Mini Water yard

Fence & Gate content:

- **Fence Design**

Mini Water Yard

Fence & Gate

